



Bakery Services

French Stick Moulder

www.bakeryservices.co.nz

Ph +64 9 478 2445

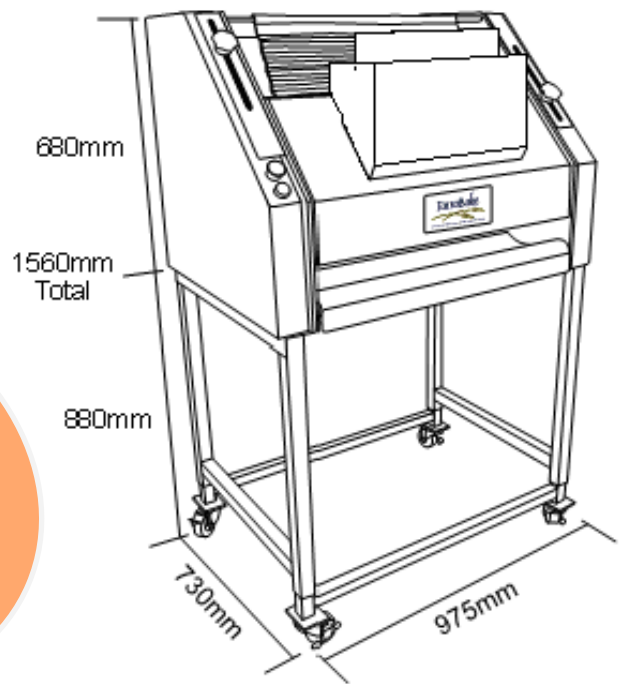
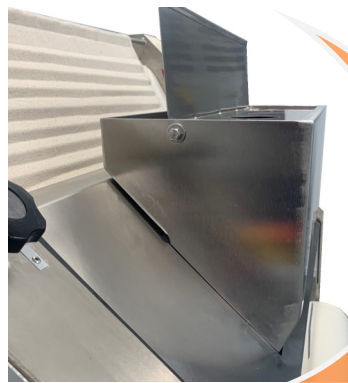
info@bakeryservices.co.nz

This is an easy to use multi-function machine capable of producing a variety of products from long rolls, to French sticks and baguettes, with loaf weights up to 900 grams.

The model ESM-380 is fitted with endless non-stick felt belts made in France. The exit tray is retractable for easy storage and operation.

This unit can also be mounted on a bench, by the removal of the wheeled base.

Now comes standard with safety chute.



Model		ESM-380
Features	Belt Width	790mm
	Dough Weight Range	50-90g
	Production Speed	Max.2500 Pcs Per Hour
Electrical Requirements	Voltage	400V
	Frequency	50Hz
	Power Consumption	0.357kW
	Phases	3
	Connection	4-Pin PDL 56 PA 416
Dimensions	Width	975mm
	Depth	730mm
	Height	1560mm
	Weight	180kg

Notes:



Bakery Services Limited

11 Civil Place

Rosedale 0632

P.O Box 301-900

Northshore mail Centre

0725

Auckland.

Ph +64 9 478 2445